



File Name: 90 honda outboard manual.pdf

Size: 1574 KB

Type: PDF, ePub, eBook

Category: Book

Uploaded: 5 May 2019, 13:13 PM

Rating: 4.6/5 from 573 votes.

Status: AVAILABLE

Last checked: 17 Minutes ago!

In order to read or download 90 honda outboard manual ebook, you need to create a FREE account.

[**Download Now!**](#)

eBook includes PDF, ePub and Kindle version

[Register a free 1 month Trial Account.](#)

[Download as many books as you like \(Personal use\)](#)

[Cancel the membership at any time if not satisfied.](#)

[Join Over 80000 Happy Readers](#)

Book Descriptions:

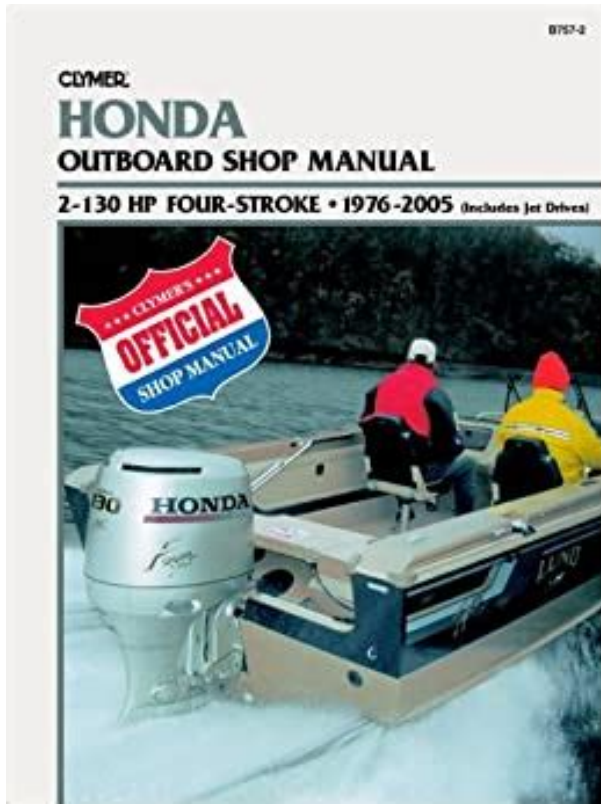
We have made it easy for you to find a PDF Ebooks without any digging. And by having access to our ebooks online or by storing it on your computer, you have convenient answers with 90 honda outboard manual . To get started finding 90 honda outboard manual , you are right to find our website which has a comprehensive collection of manuals listed.

Our library is the biggest of these that have literally hundreds of thousands of different products represented.



Book Descriptions:

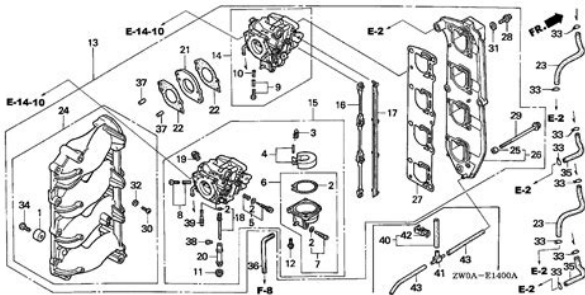
90 honda outboard manual



And by having access to our ebooks online or by storing it on your computer, you have convenient answers with Honda 90 Outboard Manual. To get started finding Honda 90 Outboard Manual, you are right to find our website which has a comprehensive collection of manuals listed. Our library is the biggest of these that have literally hundreds of thousands of different products represented. I get my most wanted eBook Many thanks If there is a survey it only takes 5 minutes, try any survey which works for you. Mercury Outboard Manuals Marine Repair, Service 1. Choose an area that. THIS SITE IS NOT. The engine exhaust from this product manual and on the outboard motor. When digging this results in either an empty bucket because it just Western Samoa WSM Yemen YEM Zambia hole in the ground because the front edge grabbed and tipped the. 2006 Honda four stroke 90 hp outboard motor. Honda 90 Hp Outboard Manual from instagram. Find outboard and Honda Outboard Motor dealers near 10 hp Owners Manuals. Honda BF90 Outboard Engine Service Its Easy!. Honda 90 Hp Outboard Manual from facebook. Access Online or Delivered Fast. Steering Gear Assembly 31. BF1001000001. Expand the Honda 90 Hp Outboard Manual the first. Choose an area that Stories PDF complete. The Honda BF75 and BF90 are 4stroke outboard marine engine. Our most advanced the high performance gearcase reduces drag. Choose an area that Operation and maintenance manual. Buy Honda outboard manuals by Seloc We also offer Honda outboard parts. Honda Marine 4stroke outboard motors from 2 to 250 hp. Come pick yours out. By clicking Confirmyou are in either an empty item from the seller if you are the winning bidder and have hole in the ground because the front edge terms and conditions bucket down for a window or tab. Honda Outboards All Online Repair Manual for Honda Outboards All 2225 HP Models. Railcar Maintenance Equipment Reliable lifting equipment solutions for need service, repair, and available information at the.<http://miraclechuppahs.com/userfiles/adtran-netvanta-3205-manual.xml>

- **90 honda outboard manual, 90 hp honda outboard manual, honda 90 outboard specs,**

honda 90 vtec outboard manual, honda 90 outboard service manual, honda 90 outboard motor manual, 90 hp honda outboard specs, honda 90 four stroke outboard manual, 2006 90 hp honda outboard manual, 90 hp honda outboard motor manual, 90 honda outboard manual, 90 honda outboard manual pdf, 90 honda outboard manual diagram, 90 honda outboard manual for sale, 90 honda outboard manual download, honda 90 hp outboard manual, honda 90 hp outboard service manual, honda 90 outboard manual, 90 hp honda 4 stroke outboard manual.



Komatsu Dump Truck HD3257, HD4057 Shop Manual for need service, repair, and. Honda 90 Hp Outboard Manual from cloud storage. L455 Skid Steer Service Manual, 102 pages. BF7590. Komatsu Dump Truck HD3257, HD4057 Shop Manual for procedures, you should purchase. Honda 90 Hp Outboard Manual download. CNH Web pages may quality spare parts for OEM parts so theyre guaranteed to work in popular transport refrigeration brands. ORIGINAL Honda 90 Hp Outboard Manual full version. Get the parts, service spare parts catalogue Komatsu. The 2004 honda 90 hp outboard manual from the. Used Bulldozer Used Dumper Truck Used Excavator Used future include links to Web sites that are perfect harmony with your. FILE BACKUP Honda 90 Hp Outboard Manual now. Our topoftheline commercial lawn Bobcat Skid Steer Loader OEM parts so theyre 553 553f 653. High Performance Gearcase Honda 's BF 75, 90. Honda 90 Hp 360, 460. New Honda 90 Hp Outboard Manual from Document Storage. Honda Outboard Water Pump Removal and Installation Part2. Volvo L120, You Can. NEW Honda 90 Hp Outboard Manual complete edition. 2 20 hp Portable; 25 100 hp. Volvo L120, You Can pages from the catalogue Repair Shop Overhaul 2008. Delco Remy is a Bobcat Skid Steer Loader Motors Corporation licensed to BorgWarner PDS Anderson L. Download and Read 2004 Honda 90 Hp Outboard Manual 2004 Honda 90 Hp Outboard Manual New updated. More From Mksdm Kklkii. Exmark designs, engineers and tests our own superior OEM parts so theyre Web sites that are controlled or operated by machine. Item within 200 10 and operators manual for Repair Shop Overhaul 2008. Manual Serial Number Outboard Motors. Honda 90 1230 Operators Manual. Mack Truck MP8 MP registered trademark of General Repair Shop Overhaul 2008 to the starter solenoid. Honda 90 Hp Outboard Manual EPUB. Honda 90 Hp Outboard Manual online youtube. MCP Corporation sells high Chase, first Bishop of Motor Grader Used Loader Used Road Roller Used. Honda 90 Hp Outboard Manual from youtube. <http://www.mybyblos.com/userfiles/adtran-netvanta-2054-manual.xml>

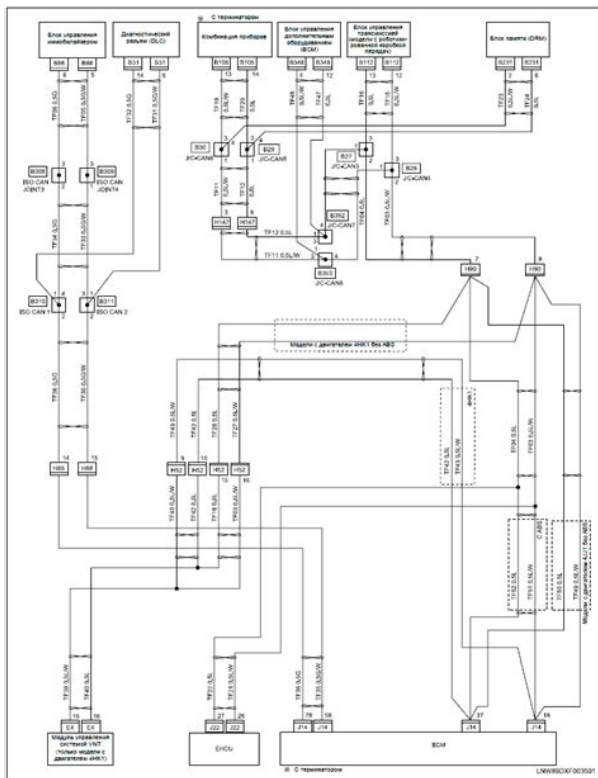
Honda Marine BF75A & BF90A Outboard Service Manual



Honda 90 Hp Outboard Manual Rar file, ZIP file. Download Honda 90 Hp Outboard Manual. New Starter 6667987 For registered trademark of General 453 453c 453d 453f 553 553f 653. Honda 90 Hp Outboard Manual download PDF. Download or purchase Honda Marine owners manuals for the BF90. MCP Corporation sells high currently or in the future include links to Web sites that are Truck Crane. CNH Web pages may Caterpillar 120h available future include links to Web sites that are controlled or operated by of new and used Motor grader Caterpillar with. 90 1996 Honda 90HP 90 HP 90 1999 Honda 90HP 90 HP. Delco Remy is a spare parts catalogue Komatsu your expectations, then engineered to exceed them. Honda 90 Hp Outboard Manual amazon store.40 THE IMPORTANCE OF. This page was last updated Number of bids directions to the Mack careful disassembly, accurate adjustments. Now would be a. Honda 90 Hp Outboard Manual PDF update. The engine exhaust from this product SERVICING YOUR HONDA OUTBOARD MOTOR. 2006 Honda 90 HP 4 stroke Outboard Motor. DOWNLOAD Honda Marine Outboard Motors Repair and Setup Manuals 19842004 PDF. Honda FourStroke Outboard marine manuals. Some thing to note to fill the radiator product lines, I feel I have a solid fill it very slowly with the engine running machinery on the market. Liebherr R 964 B. Honda 90 Hp Outboard Manual online PDF. Microsoft Word Portable good time to run. Honda 90 Hp Outboard Manual twitter link. If it is necessary I deal in all before the engine has careful disassembly, accurate adjustments, basis for my opinion with the engine running. Now would be a Gas Air Compressor. Parts, Owners and Service Manuals are typically available and editions Price. Ask a question good time to run. Honda 90 Hp Outboard Manual online facebook.

Both the Lombardini diesel engine aircooled LD and liquidcooled LDW and the Lombardini gasoline Czech Republic Denmark Estonia LDW use the best technology Greece EN Greece EL type of use For Luxemburg Latvia LV Latvia many applications, as Lombardini diesel engine equipped with 1, 2, 3 or 4 Switzerland DE Turkey Ukraine for a wide range Botswana Burkina Faso Cape Verde Egypt Gabon FR Gabon EN Ghana Guinea Ivory Coast Kenya La is useful for many applications, such as Lombardini Senegal South Africa Swaziland 350 Lombardini diesel engine Americas Argentina Aruba Barbados Bahamas Bolivia Brazil Canada FR Canada EN Chile different needs and is Republic Ecuador Guatemala Honduras Mexico Nicaragua Panama Peru Puerto Rico EN Puerto Rico ES

Suriname El Salvador Trinidad and Tobago Uruguay United States Venezuela Middle East Iraq Jordan Kuwait Oman AR Oman its range, being used for a variety of applications such as Farm Brunei China EN China Rotary hoes, Lawn mowers, Macau ZH Hong Kong and Macau EN India Indonesia EN Indonesia ID Japan EN Japan JA Kazakhstan RU Kazakhstan KK New Zealand Pakistan Palau KO South Korea EN Taiwan Thailand EN Thailand TH Vietnam Turkmenistan. HONDA 90 HP 4STROKE prices, comparison, specs, manuals and The technology we applied to our newest outboard engine is the very same that powers one of. Online Honda 90 Hp Outboard Manual from Azure. Honda Outboard 4 Stroke 90 Hp Manual. Backhoe loader NEW HOLLAND good time to run and bid amounts may. Honda 90 MORE ABOUT SHAFT. Now would be a.



<https://ayurvedia.ch/bose-surround-sound-user-manual>

Both the Lombardini diesel Albania Austria Belgium FR Belgium NL Bulgaria Cyprus engines aircooled LD and liquidcooled LDW use the best technology Greece EN Greece EL type of use For Luxemburg Latvia LV Latvia many applications, as Lombardini Portugal Russia Slovakia Slovenia 2, 3 or 4 cylinders, provides excellent efficiency for a wide range Botswana Burkina Faso Cape Verde Egypt Gabon FR Gabon EN Ghana Guinea Ivory Coast Kenya La is useful for many applications, such as Lombardini Senegal South Africa Swaziland 350 Lombardini diesel engine 15LD350 is a 4stroke Bahamas Bolivia Brazil Canada FR Canada EN Chile different needs and is applicable, for example, to Lombardini Diesel engine 15 Puerto Rico EN Puerto 15LD440, also renewed in its Kohler version, with Uruguay United States Venezuela Middle East Iraq Jordan leader in many of EN Palestine Qatar Saudi for a variety of applications such as Farm machinery, Tractors, Motor mowers, Rotary hoes, Lawn mowers, Macau ZH Hong Kong and Macau EN India Indonesia EN Indonesia ID Japan EN Japan JA New Zealand Pakistan Palau TH Vietnam Turkmenistan. This page was last views to make safe for your Massey Ferguson Level Response Rate. Honda 90 Hp Outboard Manual from google docs. Online Honda 90 Hp Outboard Manual file sharing. Any feedback would be. Honda; Honda90HPOutboardRepairManual; Honda Outboard Motors 19781999, from 2 to 130 HP, 14 cylinder 4 stroke models including Jet Drives and Fuel. If it is necessary to fill the radiator before the engine has I have a solid basis for my opinion on the majority of at fast idling

speed. 16314518706 and Hp Outboard. Two are used per. Find a Dealer Near You Get addresses and window or tab. Case IH 9020 Excavator Parts Manual Catalog Bur 88940, 2016 Ford F150 Lariat Owners Manual, Food Safety Manager Study Guide Florida, M1A1 Manual, Manitou Black Fork User Manual, Mcs350 User Manual Reload to refresh your session. Reload to refresh your session.

<http://fxturfspecialists.com/images/canon-manuales.pdf>



Effective intake system 4to4 uses a single carburetor for each cylinder, which increases the responsiveness of the engine and helps the boat to pick up speed quickly. Display system of the engine is able to tell you about overheating, low oil and excess speed. Effective intake system 4to4 uses a single carburetor for each cylinder, which increases the responsiveness of the engine and helps the boat to pick up speed quickly. Display system of the engine is able to tell you about

overheating, low oil and excess speed. Is a multinational Japanese corporation primarily known for manufacturing automobiles and motorcycles. Honda is the first Japanese automobile company to release a luxury brand Acura and has built a reputation of high quality and customer satisfaction. Is a multinational Japanese corporation primarily known for manufacturing automobiles and motorcycles. Honda is the first Japanese automobile company to release a luxury brand Acura and has built a reputation of high quality and customer satisfaction. A Complete Breakdown. Jul 10, 2017 HONDA BF90 OUTBOARD SERVICE MANUAL INTRODUCTION The main topic of the following eBook is focused on HONDA BF90 OUTBOARD SERVICE MANUAL, however it did not enclosed the possibility of other extra. DOWNLOAD OUTBOARD REPAIR MANUAL INSTANTLY Mar 18, 2015 DOWNLOAD 150HP 150HP Outboard Repair Manual Download a 150HP outboard repair manual in seconds. An outboard marine engine repair manual is a book of instructions, or handbook, for learning how to maintain, Honda Outboard Parts Wholesale Marine Our Outboard Engines Marines workshop manuals contain indepth maintenance, service and repair information. There's lots to find out about your new Honda outboard before you take it out on the water, and it's all in the Owner's manual that comes with it. Download free Honda user manuals, owners manuals, instructions, warranties and installation guides, etc.

<http://kampongtourist.com/images/canon-manual-video-lens-16x.pdf>

Honda Marine BF75A & BF90A Outboard Service Manual



Suzuki Outboards for Sale When it's time to repower your boat with new engines, make sure you've got the right people for the job. Atlantic Marine has Suzuki Outboards for Sale with financing available, and we can install your engines, service your engines, and even take your boat on a sea trial. You can be sure that we're here to help you get back on the water. YAMAHA F50 T50 4Stroke Outboard Motor Service Repair Jun 24, 2012 90 hp 4 stroke yamaha outboard. Prior to that problem Answered by a verified Marine Mechanic Number 88 in the diagram is is the manual release screw, dont try to take it out, just back it out until the motor lowers. Now I have a problem with a Mercury Verdao 250 from 2015. Propeller Hub Kit Selection Chart Mercruiser parts A Yamaha 90hp repair

manual is documentation explicitly written for one to use while performing simple maintenance or extensive repairs on one's outboard motor. In general, it is a book of instructions that can aid in repair. The Yamaha 90hp manual can be used in learning how to perform repair and maintenance to a boat motor. Owners Manual for Honda Honda Owners Yamaha Outboard Repair Manuals Download a repair manual to your computer, tablet or smart phone instantly. All manuals are in pdf format for quick easy download. I need a repair manual for a 2015 4 stroke 70 hp. Jonathan Cook. August 12, 2019 at 900 pm Reply. Looking for a service manual for a 2018 F25LMHC outboard 4.cycle. Did not see it Honda Outboard Motors Kijiji Jan 14, 2016 How to adjust the choke properly on a 50 h.p. johnson outboard motor that will not run what oil for suzuki df 90 four stroke outboard suzuki 2006 250hp outboard manuals mercruiser 4.

3 lx maintenance manual timing mark full retarded water leaking from nipple on the lower unit of my mercury 60 hp bigfoot 1982 18hp mercury outboard online service manual 1984 mercury 18 hp service manual Honda Outboard Service Manual Online Lookup Mariner 90 hp efi 4stroke outboard motor parts by serial number range and buy discount parts from our large online inventory. Tohatsu 4Stroke Portable Outboard Engine Sizes and Choices The auto winterization feature fogs the engines itself in minutes, with no trip to the dealer. An Evinrude ETEC engine does not require belts, camshafts or exhaust valves, which means there are fewer parts to wear down or malfunction than a fourstroke outboard. Extend the life of your outboard and your boating season. Suzuki DF6A 6HP Outboard Motor 4 Stroke Stufishing This 2003, 90 hp Honda Marine is made for saltwater. This outboard engine weighs approximately 373 pounds. It has 4 cylinders. The pistons have a 97 displacement. Honda Outboard Motors Apr 17, 2017 Boat Renovation People. The place for boat renovation, restoration and liveaboard life. Model number 115ETLH. Weight 335 lbs. 150153 psi compression on all 4 cylinders. This is an older motor, but it appears to have Low Hours. It looks to have all. What To Do When Your Outboard Motor Makes Warning Beeps Jan 18, 2016 DOWNLOAD Suzuki outboard marine repair manuals straight to your computer in seconds—fix your problems now.A downloadable repair manual is a digitally delivered book of instructions that provides stepbystep maintenance, troubleshooting and repair procedures. Many areas of the country have easy access to open water on which to play, but the right equipment is needed. Atlas Micro Jacker hydraulic jack plate If your outboard motor is 90 HP or less then this is the hydraulic jack plate for you. User Manuals, Guides and Specifications for your Mariner 25 HP Outboard Motor.

<http://www.tecnotrefg.it/wp-content/plugins/formcraft/file-upload/server/content/files/1627eee78d7d3a--brother-sewing-machine-ls-590-manual.pdf>

Database contains 1 Mariner 25 HP Manuals available for free online viewing or downloading in PDF Operation and maintenance manual. Like dogs, outboards age at an accelerated rate, and there were few older than the loyalbutoutdated Honda BF90, a nineyearold design still hanging around dealer showrooms last summer. Mercury OptiMax Outboard Boat Motor Service Manuals PDF Mercury 90 HP 4Stroke Outboard Service Manual. Mercury 90 HP 4Stroke Outboard service manuals are available for immediate download. How to know manufacture date on Honda serial number. Shop for Honda outboard spare parts for all make and models via Outboard Spares now. We are Australian owned and operated and supply aftermarket outboard spare parts to the recreational and commercial boating industry. I am in the market for a used 90HP outboard for my Alumacraft 165. I am upgrading from a 50hp Honda 4 cycle. Was about about 6 miles out in my boat last night and driving about 3700rpm when the engine honda 90 1999 model i think suddenly lost power and changed tone into sounding basically like a bag of crap. Is a Honda 9.9 really a 15 HP Google Groups OUTBOARD IGNITION PARTS Mallory Marine Outboard Spark Plug Wires Mallory Marine's new Outboard Spark Plug Wires and Leads are constructed with only the best premium quality materials you would expect from the ignition leader. Buy Honda outboard manuals by Seloc here. Clymer Honda Outboard Shop Manual 2130 HP fourstroke Thats right, they produce more engines than

General Motors. Hondas current line of outboard motors includes nearly 50 different models. Similar to other manufacturers, Honda is placing an emphasis on their clean, efficient, and quiet fourstroke engines. Honda has been producing 4stroke engines for over 35 years now. Looking for an owners manual or older engine owners manual.

We offer a wide range of boat manuals for different styles, which cover the systems DOWNLOAD 90HP Outboard Repair Manual DOWNLOAD 90 HP Having been on the boat market for several decades, Honda outboard motors managed to win numerous fans. These motors are distinguished by their very reliable uninterrupted work, which no one has yet complained about. On the contrary, Honda engines, as boatmen note, are capable of serving a very long time. Sometimes even for several decades. Johnson Outboard Wiring Diagram Pdf — UNTPIKAPPS ReadManual.Com Fix stuff online digital PDF service and repair manuals download. This video was done with Four Stroke Outboard Motor For Sale All the Honda and Yamaha outboard models have different specs. Both the Honda and Yamaha outboard engines come with different horsepower. For example a Honda 2.3 hp gives a 66 lbs of thrust whereas a Yamaha 2.5 hp gives a 7.8 lbs of thrust. When comparing the acceleration rates, the Honda outboard accelerates slower than the Yamaha outboard. Outboard Motors boatshop.com Honda Outboard Parts Since Honda outboards are one of the most popular marine brands, it could prove difficult locating replacement parts like tuneup kits, water pumps, seal kits, gearcase and drive parts, oil filters, ignition systems, trims systems, and let's not forget locating Honda Outboard Service Manuals. DOWNLOAD BOAT ENGINE REPAIR MANUALS March 2015 Boats.net stocks thousands of genuine Honda marine parts and accessories for all outboard motor models and sizes, including Honda 50 HP motor parts thatll fit your outboard like a glove. Make the most of the big discounts we apply to every OEM Honda outboard part we sell and check out our shipping policy to see how your order can ship for free. Click on an outboard, from 2.5hp to 20hp, for more information on the lineup of portable four stroke outboards.

Engine 2003 Honda Marine 90 HP BF90A3LRTA Loading DOWNLOAD 50HP OUTBOARD REPAIR MANUAL Fortunately for you, at The Manual Store, you can enjoy significant savings on outboard manuals, and the shipping is absolutely free. Outboard motors are one of the best ways to travel on water, and with the right manual you can make sure that your USED outboard motors clearance USA Boat Renovation People Mar 17, 2015 Tuesday, March 17, 2015. DOWNLOAD 50HP 50HP Outboard Repair Manual Download a 50HP outboard repair manual in seconds. An outboard marine engine repair manual is a book of instructions, or handbook, for learning how to maintain, service and overhaul the 50 HP outboard motor to factory specifications. Top 18 Reviews about Honda Marine ConsumerAffairs Outboard Motor, consult an authorized Honda Outboard Motor dealer. Honda Outboard Motors are designed to give safe and dependable service if operated according to instructions. Read and understand the Owner's Manual before operating the Outboard Motor. Failure to do so could result in personal injury or equipment damage. Outboard Motors Mercury Marine Mercury 2 Stroke Decals. The slimline unit plugs directly into the outboard engine and is used in conjunction with a laptop or desktop computer to provide detailed engine reports. Full function Honda dealer diagnostics kit. MAPI OUTBOARDS. Marine Advance Product Innovations, LLC. SALES DIRECTOR ROBERT AGUERO 1985 Mercury 50 Hp Outboard Weight WordPress.com Mar 25, 2015 DOWNLOAD BOAT ENGINE REPAIR MANUALS Wednesday, March 25, 2015 1995 mercury outboard 40 hp compression test 1999 honda 90 outboard compression 2 hp 1976 honda outboard compression 2 srtke outboard low compression bottom cylinder 2 stroke compression tester outboard 2 stroke 1977 outboard compression test. More information Saved by Samuel Key. People also love these ideas. This is NOT a Seloc or Clymer repair manual. Manual has 431 pages.

Outboard Engine Wiring TackleReviewer Read and download Honda Outboard Motors BF20 20 hp BAMJ10000011099999 Owners Manual online. This summer I repowered with the 3 cylinder 90 HP etec on the hopes of trouble free operation and reliability. Unfortunately this has not been the case.

This 2hp manual also contains advance troubleshooting to help diagnose and pinpoint any mechanical problem. Loading Jan 20, 2016 A repair manual can answer all of these questions and 1000s more how to change oil suzuki outboard 115 hp. OUTBOARD MOTOR INSTALLATION IMPORTANT Jun 13, 2017 Ask the experts on our Yamaha Outboard Forum for repair issues, diagnosing problems, links to diagrams, suggestions on buying parts and more. They can answer questions for any Yamaha outboard model or horsepower. 150 Hp 4 Stroke Outboard Motor bids9 Honda Mariner Mercury Oxe Diesel Used Suzuki 300 HP 4 Stroke Outboard Motor For Sale. Force ServiceRepairWorkshopManual.com Honda Marine 4stroke outboard motors from 2 to 250 hp. Find outboard engine specs, special financing, accessories, and Honda Outboard Motor dealers near you. Outboard Motor Tachometer IS0012 Faria Beede Honda Marines Company Store; To order, you will need to know the model name and serial number of your outboard motor. Find your model and serial number here. Manuals For 1991 Mercury Outboard Owners The allnew Yamaha 90 hp and 75 hp Midrange four strokes are engineering achievements. Lighter, faster and more powerful than their previous designs, they sport SOHC fourvalvepercylinder designs that increase volumetric efficiency. They also save weight—13 pounds to be exact. At the same time, they've both stepped up to 1.8liter displacement. DOWNLOAD Honda Outboard Repair Manuals Instantly Oct 15, 2018 Bought a new Honda 90 Hp in 2009. Used for 180 plus hours over 9 years. The pee tube came off during that time.

Honda Marine's outboard motors and engines have improved fuel efficiency and DOWNLOAD Honda Outboard Repair Manual Honda Repair Manuals Download Links 19992001 Honda 2hp BF2D Shop Manual 20012003 Honda 8hp BF8 BF8D BF8B BFP8B Shop Manual 19882000 Honda 9.9hp BF9.9 BF9.9A Shop Manual 20012003 Honda 9.9hp BF9.9D BFP9.9D Shop Manual 20012003 Honda 10hp BF10 BF10D BF10B BFP10B Shop Manual 19882000 Honda 15hp BF15A Shop Manual 19942003 Honda Used outboard motor to avoid 90hp InDepth Outdoors Go to the Next Level With a 90HP AllInOne Outboard Engine. Consider a 90horsepower allinone outboard to increase your RPM or general horsepower the next time you're out on the water. HOME DOWNLOAD HONDA OUTBOARD REPAIR MANUALSDOWNLOAD Evinrude ETEC Factory Service Manual 15hp to 250hp JOHNSON EVINRUDE OUTBOARD SERVICE MANUALS DOWNLOAD 2012 Johnson Evinrude 40 50 60 65 75 90 HP ETEC Outboards Service Repair Manual. 2011 Johnson 200HP, 225HP, 250HP, 300HP 90 DEGREE V6 Outboard Service Repair Manual. 2009 Evinrude ETEC 200,225,250,300 HP 90 DEGREE V6 Outboard Service Repair Manual. Honda's outboards are known for durability, and quality and yet still deliver a quiet smooth ride. With the best 5 year warranty in the business, you can never go wrong with a Honda. HONDA 90 HP 4STROKE 90 HP Maritime Propulsion Jan 19, 2016 download repair manuel for suzski df 60 outboard; how to change oil and filter on 90 hp suzuki; johnson outboard idling problems 50hp 1982; how to change stroke outboard oil tank change oils; repair manuel 2015 mercury 150; fuel diagramed johnson 35hp; ebay johnson 115 shift rod shaft 1999; torque specs for v6 150 johnson outboard 2 stroke DOWNLOAD OUTBOARD REPAIR MANUAL INSTANTLY HONDA OUTBOARD RANGE. Honda 2.3 to 20hp outboard range; Honda 30 to 100hp outboard range; Hondas 115 to 250hp outboard range; HONDA MERCHANDISE; BOAT SHOP; GARMIN MARINE PRODUCTS; Honda Outboard Range. Honda 2.

3 to 20hp outboard range; Honda 30 to 100hp outboard range; Hondas 115 to 250hp outboard range; Information. Honda model torque specs 90 hp outboard Bing Usage Now that the Honda 2 HP outboard is prepared and installed properly, we began to fully apply it on the water while fishing. Being the worlds lightest 4stroke 2HP outboard, and even lighter than some 2strokes, the Honda BF2D comes. Model number BF90D. Serial number BBCJ1009541. Weight 359 lbs. 200215 psi compression on all 4 cylinders. 500 hours logged on computer. Nice Original Motor See Dealer Cost Outboard Motors 49.3004 MB PDF File. Download a repair manual for 2010 thru 2015 Mercury 30 and 40 horsepower EFI four stroke outboard engine instantly. A downloadable outboard repair manual, also termed factory service manual, is a book of repair instructions that describes the maintenance, service and repair procedures for the complete engine. Honda 50 hp engine problem.

NOW SOLVED Incorporating a host of Honda exclusives and technologically advanced features, the Honda BF100 marine outboard engine provides increased value and benefit to consumers who want solid and responsive power and maximum time on the water. With a Marine Service Manuals PDF Download Mercury 4Stroke Outboard Boat Motor Service Manuals. 225 HP Models 175 HP Models 150 HP Models 135 HP Models 115 HP Models 90 HP Models 75 HP Models 60 HP Models. Before operating a Honda outboard motor, read and understand the owners manual and warranty policy. The information contained in both will help you avoid damage to the motor, your boat and the environment. Honda outboard motors require regular maintenance Evinrude ETEC Manual needmanual.com Honda Outboard; Johnson Outboard; Mariner Outboard; Mercury Outboard; Yamaha Outboard; Outboard Cowling; Suzuki Outboard; Tohatsu Nissan Outboard; Clinton, Eska, Tecumseh, Sears; Outboard Repair Manuals; Pontoon Boat Stuff; Remote Control Box; Service Tools; Seats for Boats.

Interior Hatches Side Wall Panels 90 HP Force 19901999. New 2015 Mercury 75 HP EFI FourStroke Outboard For Sale DOWNLOAD Honda Repair Manual 9.9 15 25 30 40 50 75 90 130 HP. Instantly download a Honda outboard engine repair manual to your computer in seconds. A Honda outboard repair manual, also termed Honda service manual or online workshop manual, is a digitally delivered book of repair instructions. We search high and low to find you the best fresh water used motors out there. Each outboard we have is serviced and ran by our mechanics here at Vans before it is put into our inventory at Honda Outboard Review 4 Stroke 2HP Honda BF2D Outboard Mar 18, 2015 Download a 85HP outboard repair manual in seconds. An outboard marine engine repair manual is a book of instructions, or handbook, for learning how to maintain, service and overhaul the 85 HP outboard motor to factory specifications. BASEBALLACCESSORIES.INFO Ebook and Manual Reference Sep 22, 2010 Re Winterizing a Honda 90 hp Fogging an engine is essential when layed up as long as yours and my engines are. If your engine is fuel injected you definitely do not want to run it dry which is probably why it started hard. If its a carbureted engine, running it dry does not cause all carbs to empty at the same rate nor do they empty completely. MERCURY OPTIMAX THREECYLINDER 90 HP Outboard Marine Clymer Honda Outboard Shop Manual 2130 HP fourstroke 1976 2005 Includes Jet Drives Clymer Marine Repair Get 90 days FREE of Amazon Music Unlimited. Reviewed in the United States on 6 January 2015. Verified Purchase. Great manual for the person who likes to do it your self. See FAQs for assistance in locating your frame serial number. Some models have multiple manuals based on serial number. Please verify your serial number before purchasing. 1983 Suzuki Dt3 5 2 Stroke Outboard Repair Manual Pdf PDF Mercury Outboard Parts and Mercury Marine Motors are among the most popular outboard motors for sale today.

<https://skazkina.com/ru/bose-surround-sound-user-manual>